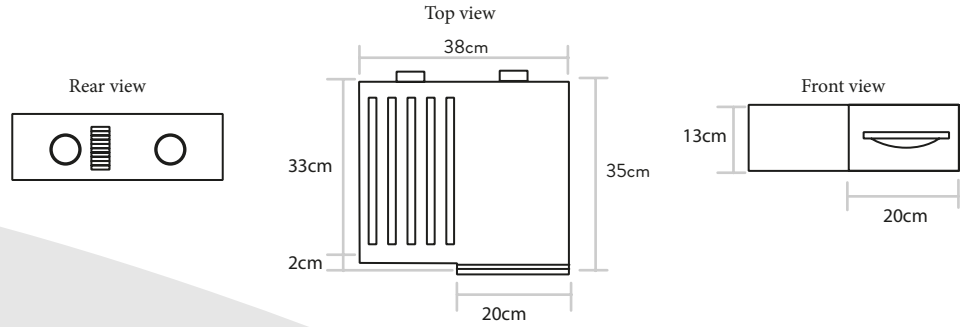


# INTEGRA *vac*



POWER	1100
AIR FLOW (M <sup>3</sup> )	170
WATER LIFT (MM/H <sub>2</sub> O)	2600
AIRWATTS	450
DUSTBAG CAPACITY (L)	4
WEIGHT (KG)	8
NOISE LEVEL (DB)	≤ 60
HIGH-SPEED THRU-FLOW MOTOR	

## TECHNICAL DETAILS

### RECOMMENDATIONS FOR INSTALLATIONS

MAXIMUM HOME SIZE IN M <sup>2</sup>	≤ 250
MAXIMUM DISTANCE FROM THE MOST DISTANT VALVE (L.M.)	30
MAXIMUM NUMBER OF INLET VALVES	5

[www.greenvac.co.uk](http://www.greenvac.co.uk)

[www.sachvacuk.com](http://www.sachvacuk.com)